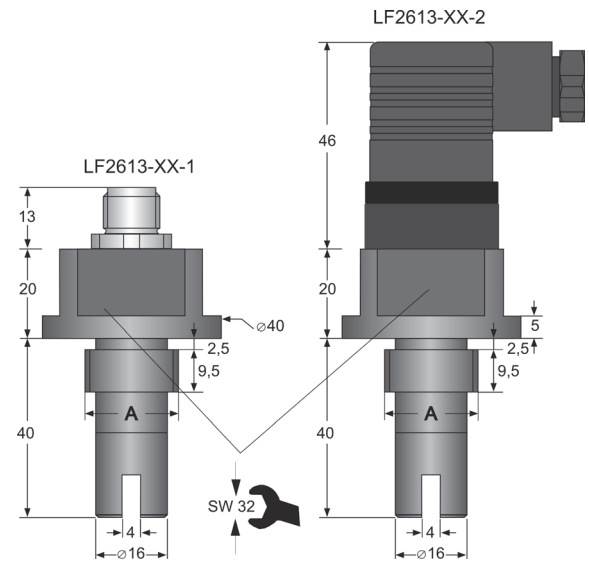


Product Information

Conductivity Cell LF2613

Dimensions



Characteristics

- 2-electrode conductive flow cell for drinking water
- Measuring range 0..100 $\mu\text{S/cm}$ up to 0..2 mS/cm

Technical data

Cell constant : $C = 0.9 \pm 3.5 \%$
 Operating temperature : 0..60 °C
 Process pressure : max. 16 bar at 22 °C
 Process material : Graphite electrodes,
 PVC-U acc. to DIN8061/8062
 Electrical connection : 4 pole angle entry plug
 EN 175301-803/A, IP65 or
 8 pole round connector plug
 M12x1, IP67
 -Material : brass nickel plated
 Temperature measurement : integrated Pt1000 Sensor DIN IEC751,
 class A

Ordering code

LF2613 - C0.9 - 1. - 2. - 3.

1. Process connection (A)	
G 1/2 A	cylindrical thread
R 1/2	conical thread
G 3/4 A	cylindrical thread
R 3/4	conical thread
2. Electrical connection	
1	8 pole round connector
2	4 pole angle entry plug
3. Options	
00	without option
03	8 pole round connector plug SS-type

Connection diagram see page Fehler: Referenz nicht gefunden

Additional accessories see page Fehler: Referenz nicht gefunden